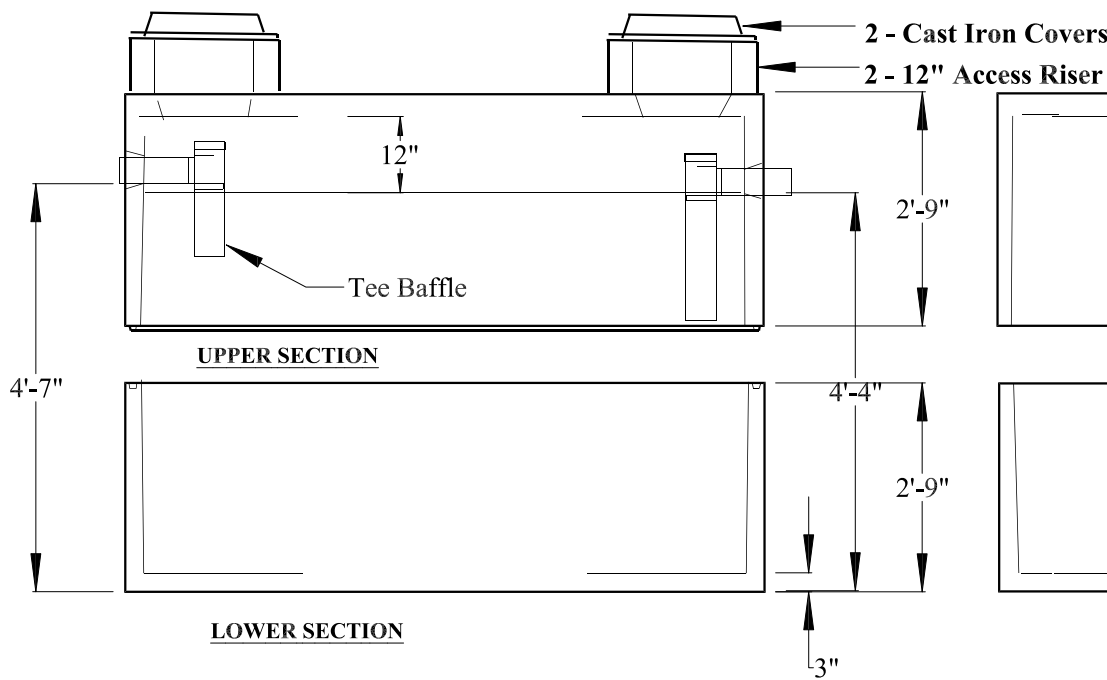
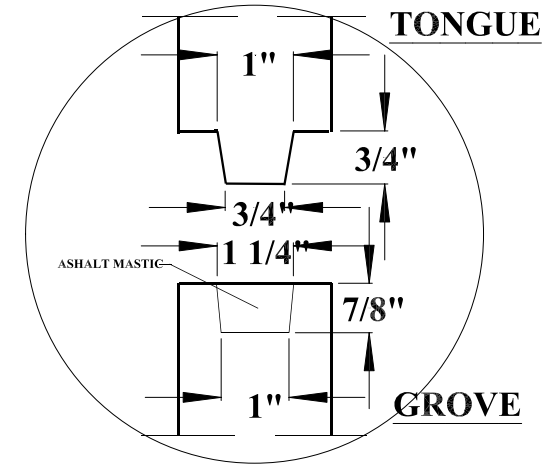
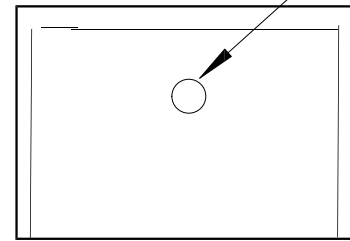


ASSEMBLED TANK



4" Dia. Rubber Boot - Pipe Seal
Both Ends (2) Req'd



JOINT DETAIL

SCALE: NONE

1000 Gallon Grease Interceptor

COATE CONCRETE PRODUCTS

P. O. BOX 159, WEST MILTON, OH 45383

WEST MILTON PHONE: (937) 698-4181

OHIO WATS PHONE: (800) 762-4066

MODEL: 1000 GALLON TANK

MATERIAL: VIBRATED CONCRETE REINFORCED W/ 6X6" 10/10 WIRE MESH & #3 (3/8") REBAR

SCALE: 3/8" = 1'-0" UNLESS OTHERWISE NOTED

DR. BY: RVA

DATE: 02/06/03

DWG. No: 01-1000SC-A01

SHEET 1 OF 1

NOTES:

DATE	REV.	LOC.	DESCRIPTION