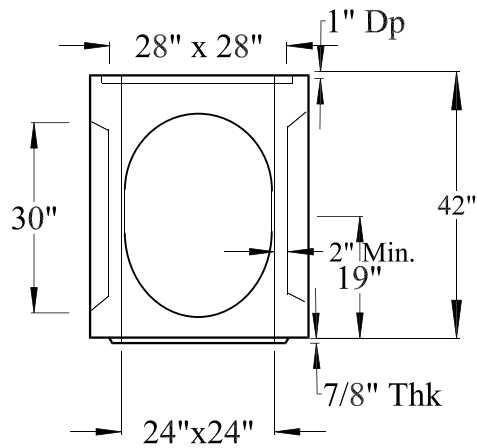


Heavy Duty Cast Iron Grate



## 2 - 2B - 42" Catch Basin

### COATE CONCRETE PRODUCTS

P. O. BOX 159, WEST MILTON, OH 45383

WEST MILTON PHONE: (937) 698-4181

OHIO WATS PHONE: (800) 762-4066

MODEL: Catch Basin 2 - 2B - 42"

MATERIAL: VIBRATED CONCRETE REINFORCED W/ 6X6" 6/6  
WIRE MESH & #4 (1/2") REBAR

SCALE: 3/8" = 1'-0" UNLESS OTHERWISE NOTED

DR. BY: R.V.A.

DATE: 11/27/12

DWG. No: 2-2B-42

SHEET 1 OF 1