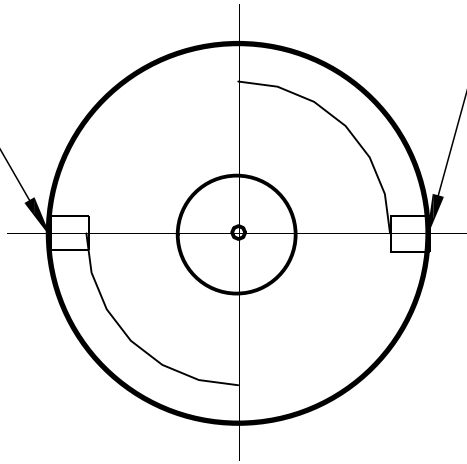


4" Dia. Inlet  
Rubber Boot

4" Dia. Outlet  
Rubber Boot



Cast Iron Cover

Inlet Baffle  
4"PVC Sch 40 Pipe

24" Barrel

Outlet Baffle  
4"PVC Sch 40 Pipe

49"

32" Base

68"

7"

4'-0"

### 300 Gallon Grease Interceptor

**COATE CONCRETE PRODUCTS**

**P. O. BOX 159, WEST MILTON, OH 45383**

**WEST MILTON PHONE: (937) 698-4181**

**OHIO WATS PHONE: (800) 762-4066**

**MODEL: 300 Gallon**

**MATERIAL:** VIBRATED CONCRETE REINFORCED W/ 4X12" 4/9  
WIRE MESH & #3 (3/8") REBAR

**SCALE: 3/8" = 1'-0"** UNLESS OTHERWISE NOTED

**DR. BY: RA**

**DATE: 09/09/06**

**DWG. No: WMLH6-A01**

**SHEET 1 OF 1**